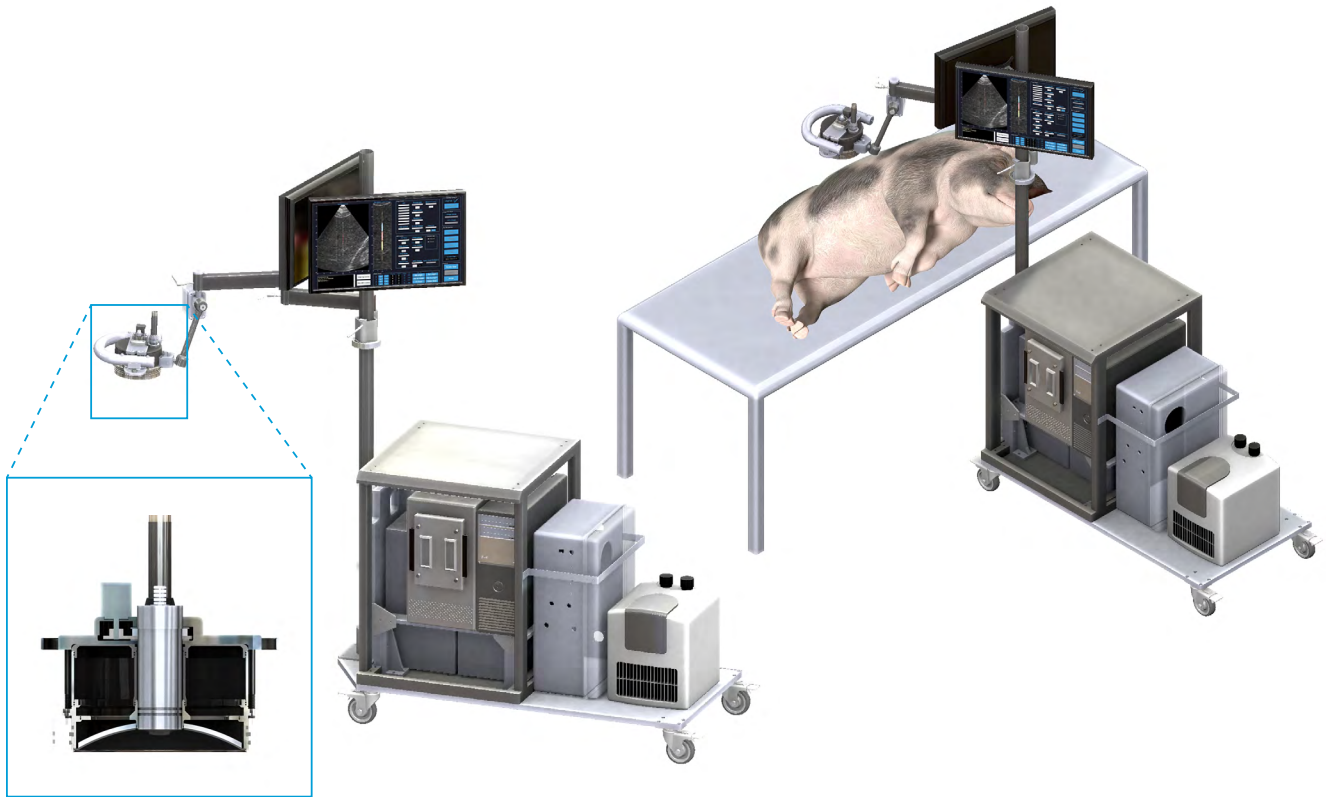


HIFUplex™ PLUS 3000

LARGE SUBJECTS

HIFUPLEX PLUS 3000 PORTFOLIO FOR LARGE SUBJECTS

A Full Turnkey Ultrasound-Guided Solution to Advance
your Biomedical Research in Focused Ultrasound



SONIC
CONCEPTS

Verasonics
The leader in Research Ultrasound™

HIFUPlexTM PLUS 3000

LARGE SUBJECTS

TISSUE DESTRUCTION

DRUG DELIVERY

IMMUNOMODULATION

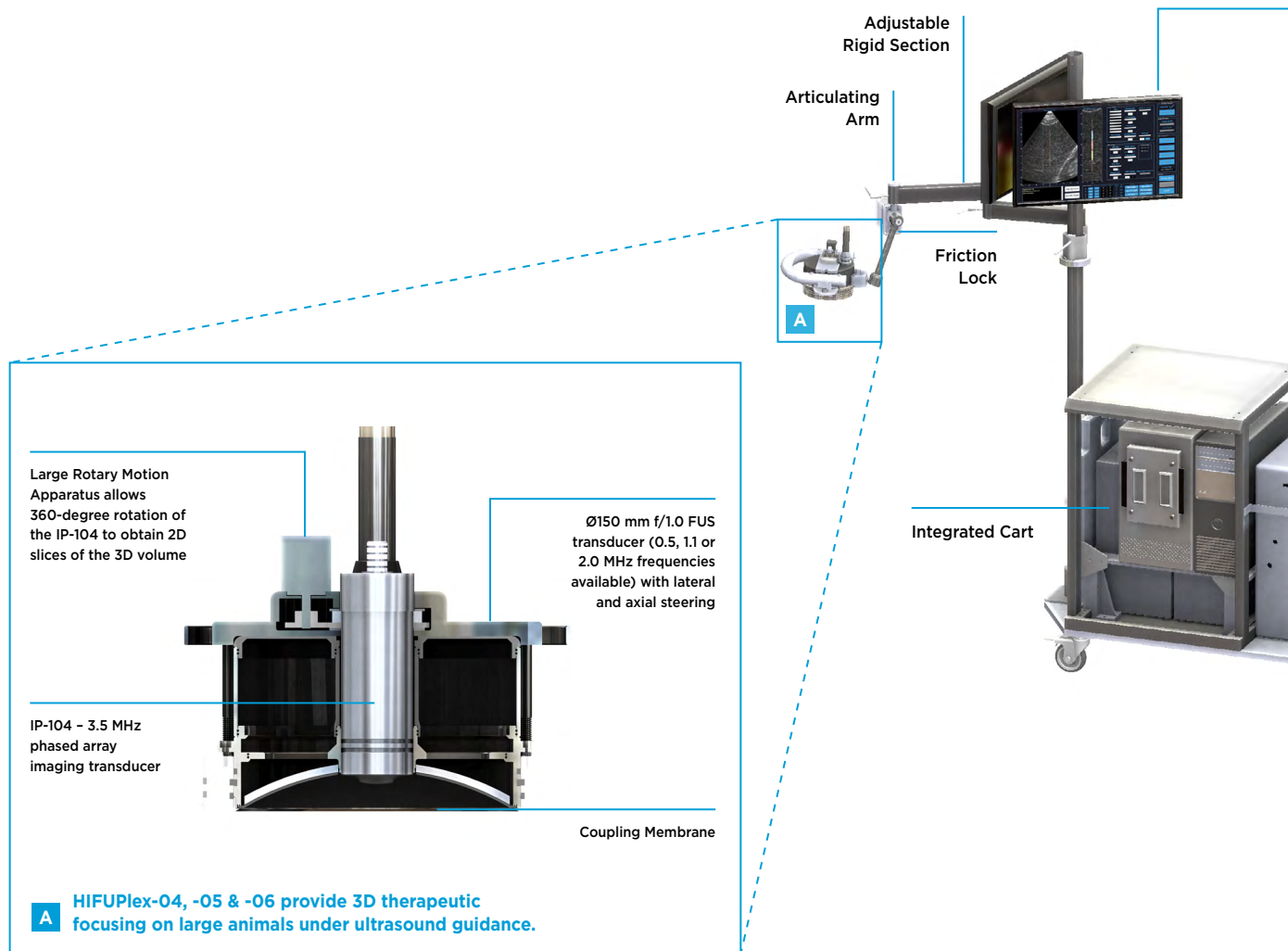
STEM CELL HONING

MANY OTHERS...

What does HIFUPlex PLUS 3000 offer?

- 1 Three standard ultrasound system and transducer configurations to meet a range of customer requirements, including variable depths and frequencies, for research and development
- 2 An applicator arm and integrated cart for easy manual positioning of the transducers for therapy planning and delivery
- 3 A graphical user interface (GUI) to control the rotation of the imaging array and major parameters of FUS and imaging
- 4 An easy upgrade pathway from any Vantage System configuration and from certain HIFUPlex LT solutions from Sonic Concepts

03 HIFUPLEX PLUS 3000 PORTFOLIO FOR LARGE SUBJECTS



(Optional)
HIFUPlex-01, -02 & -03 may be used with HIFUPlex PLUS 3000 with purchase of adapter - includes bladder coupling system for deeper penetration

Vantage HIFUplex PLUS GUI

A full-screen graphical user interface for visualization & control of USgFUS workflow

B-Mode, Doppler, Harmonic imaging modes

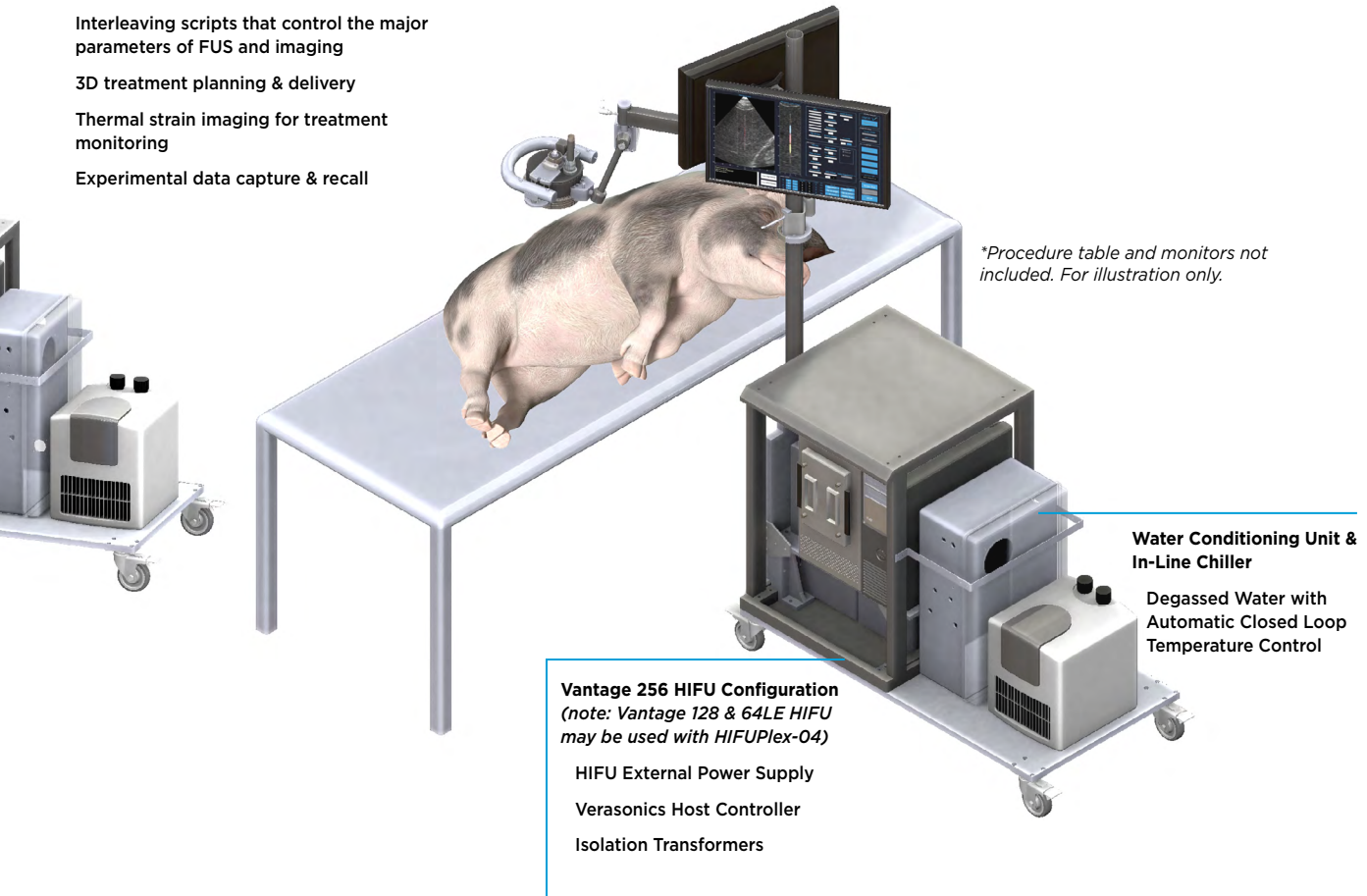
Control Rotary Motion of Imaging Plane

Interleaving scripts that control the major parameters of FUS and imaging

3D treatment planning & delivery

Thermal strain imaging for treatment monitoring

Experimental data capture & recall



**Procedure table and monitors not included. For illustration only.*

Vantage 256 HIFU Configuration
(note: Vantage 128 & 64LE HIFU may be used with HIFUplex-04)

HIFU External Power Supply
Verasonics Host Controller
Isolation Transformers

Water Conditioning Unit & In-Line Chiller

Degassed Water with Automatic Closed Loop Temperature Control

04 HIFUPLEX PLUS 3000 KEY DESIGN SPECIFICATIONS

HIFUPlex Transducer Bundles	-04	-05	-06
Includes	FUS Array Imaging Array Cone & Target	FUS Array Imaging Array Cone & Target	FUS Array Imaging Array Cone & Target
FUS Array			
Frequency (MHz)	0.5	1.1	2.0
# of Elements	64	128	128
Axial Steering (mm)	115	57	40
Lateral Steering (mm)	44 mm from the axis	21 mm from the axis	16 mm from the axis
Imaging Array			
Type	Phased Array	Phased Array	Phased Array
Frequency (MHz)	3.5	3.5	3.5
# of Elements*	64	128	128
Compatibility	Vantage 64 LE, 128 & 256 HIFU	Vantage 256 HIFU	Vantage 256 HIFU

*Only 64 elements used with HIFUPlex-04

05 VERASONICS + SONIC CONCEPTS



Verasonics, Inc. is a privately held company founded in 2001, with headquarters in Kirkland, Washington, USA. As the leader in research ultrasound, Verasonics is focused on providing researchers and developers with the most advanced and flexible tools enabling them to develop new algorithms and products used in biomedical ultrasound, materials science, earth sciences, and the physics of acoustics and ultrasonics. Verasonics also licenses its technology to companies for use in their commercial products. Verasonics has customers located in 34 countries across North and South America, Europe, Asia and Australia.



Sonic Concepts, Inc. founded in 1986 in Bothell, Washington delivers premium ultrasonic systems to biomedical, industrial, marine, and research markets. They specialize in designing and manufacturing High Intensity Focused Ultrasound (HIFU) transducers, electronics and software. Their systems are installed in leading corporate and academic research labs around the globe.



info@verasonics.com | +1 (425) 998-9836

verasonics.com

11335 NE 122nd Way, Suite 100

Kirkland, Washington 98034

USA

© Verasonics, Inc. 2020. All rights reserved.



sales@sonicconcepts.com | +1 (425) 485-2564

sonicconcepts.com

18804 North Creek Parkway, Suite 103

Bothell, Washington 98011

USA

© Sonic Concepts, Inc. 2020. All rights reserved.